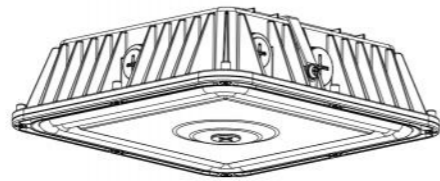


Item:
LJC-LGCL-8803-30-1



CCT & Wattage Selectable LED Garage & Canopy Light



Safety Instruction

A WARNING

Please read the manual carefully before installation. Power off before installation. Please authorize only a qualified person or professional engineer to install the fixture. Before installation, please check if the local voltage range corresponds with working voltage of the fixture. If the fixture is damaged, it should be replaced by the supplier, a service agent or a qualified person. Please keep the fixture away from fire, electric shock, and vibration.

SAFETY INSTRUCTIONS

- All electrical work must conform to the National Electric Code (NEC) and all applicable local codes and ordinances.
 - Only qualified personnel shall install and maintain the luminaires. Recommends that a licensed electrician install and maintain the luminaire.
- Verify the safety of existing power distribution system before beginning installation.
FAILURE TO FOLLOW OPERATING INSTRUCTIONS MAY LEAD TO DEATH, SEVERE INJURY, OR PROPERTY DAMAGE.

A WARNING

Turn off power before performing any electrical or control work. FAILURE TO FOLLOW THIS WARNING MAY LEAD TO DEATH, SEVERE INJURY, OR PROPERTY DAMAGE. DO NOT make or alter any open holes in the luminaire. Do not modify the luminaire.

A WARNING

Follow all applicable safety procedures and use Personal Protective Equipment such as hardhats, safety glasses, reflective vests, electrical safety gloves, fall protection equipment and safety toe boots during the installation, operation, and maintenance of the luminaire. FAILURE TO FOLLOW THIS WARNING MAY LEAD TO DEATH, SEVERE INJURY, OR PROPERTY DAMAGE.

A WARNING

Risk of eye injury! Eye protection is required at all times during the installation, operation, and maintenance of the luminaire. The high intensity light produced by the luminaire can cause severe damage to the eye if viewed directly at close range. Avoid being in front of a luminaire that is on or wear suitable light blocking protective eyewear such as welding goggles. Store luminaires in a clean, dry place, protected from dirt, water, and sunlight. See table for required storage and operating conditions:

Storage Temperature	Operating Temperature	Humidity
40°F to 167°F	-40°-122°F	5% to 95% non-condensing

Tools Required

NOTE: Keep your receipt and these instructions for Proof of Purchase.



Optional fittings:



	PARTS	pcs
A	Anchor	4
B	Screw M4*30	4
C	Screw #8-32	2
D	Wire nut	4
E	Light Fixture	1

Wiring Diagram

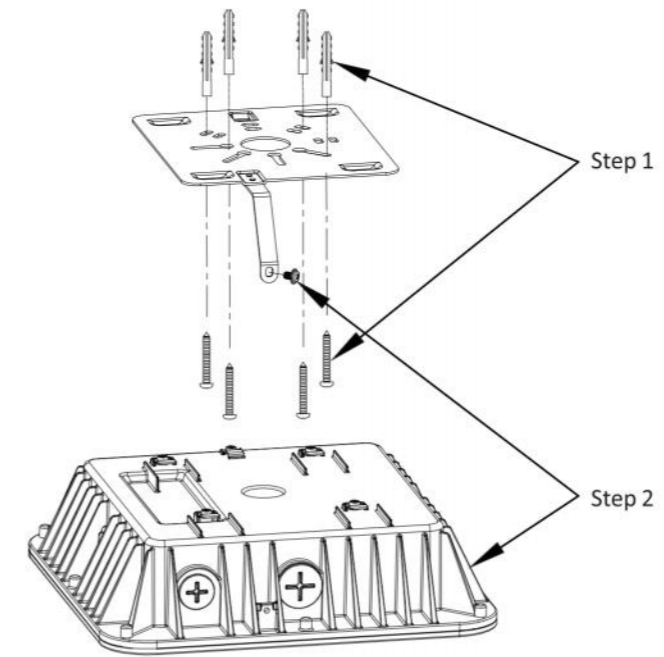
A WARNING

Always turn power OFF before performing any work on control wiring. Turn transmitters off before working on main control lines. Performing any work on control connections while fixtures are receiving the signal may result in transient or fluttering control signals which can cause damage to the luminaire. FAILURE TO FOLLOW THIS WARNING MAY LEAD TO LUMINAIRE INTERNAL DAMAGE AND FAILURE.

			label	
Black *	-- L --	=1	nnz	L
White*	-- N --	=1	acz	N
Green	-- G --	=1	DEZ	@GND @GND
Purple	-- DIM (+) --	=1		
Pink	- DIM (-) -	=1	nz	0-10V

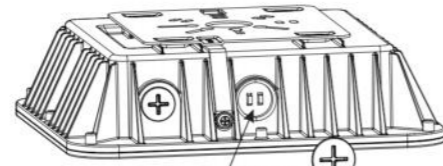
Operating Instructions

CEILING MOUNTING



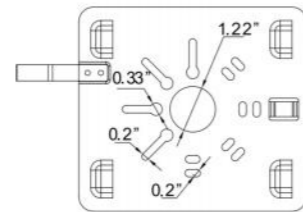
- Drill 4 corresponding holes on the ceiling, insert the expansion tube into the holes, and then use M4*30 screws to fix the mounting plate to the ceiling.
- Use M4*6 screws to fix the mounting plate on the fixture to complete the installation of the fixture.

Operating Instructions



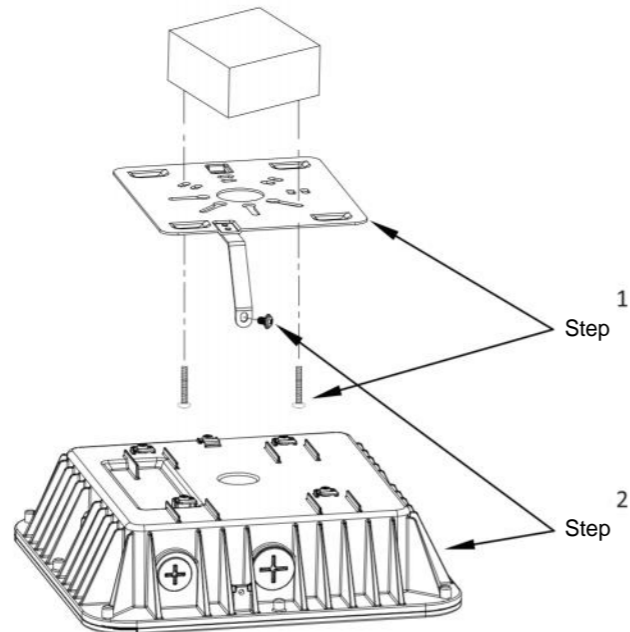
Power & CCT
DIP switch

1. Unscrew the DIP Switch cover by screwdriver.
2. Toggle the DIP switch to the corresponding gear as indicated by the laser engraving CCT and power ins to achieve the required CCT and power conversion.



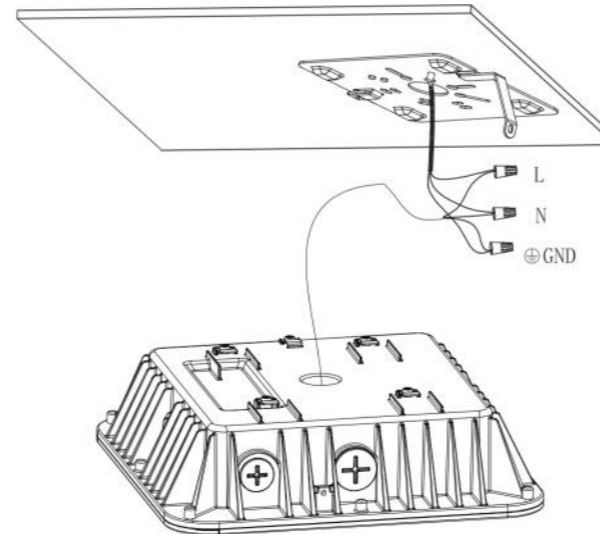
Drilling location

CEILING MOUNTING (WITH JUNCTION BOX)



1. Use American #8-32 screws to align the mounting plate with the corresponding holes and fix it on the junction box.
2. Use M4*6 screws to fix the mounting plate on the fixture to complete the installation of the fixture.

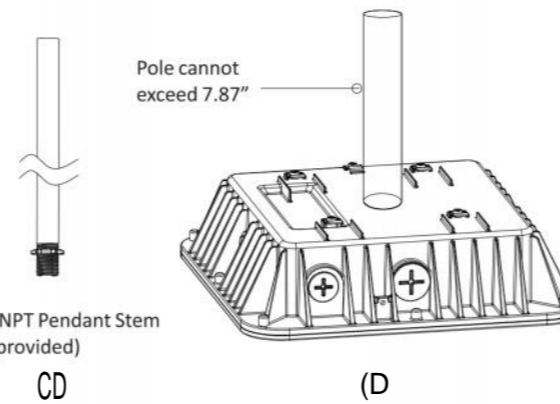
Operating Instructions



Wiring diagram

Follow the luminaire wiring diagram to wire the appliance correctly

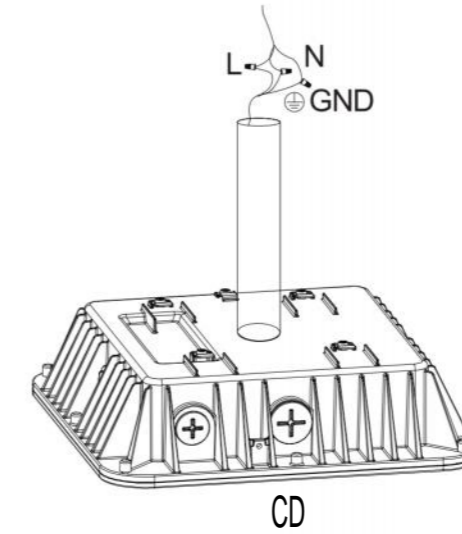
PENDANT MOUNTING



3/4" NPT Pendant Stem
(not provided)

1. Unscrew the Nuts on 3/4"NTP. (D).
2. Insert 3/4"NTP stem(not provided) into the fixture back hole and re-screw the Nuts.d).

Operating Instructions



3. Connect the fixture wires to the city electrical wiring using UL approved connectors. Then rotate and lock with the ceiling pole fixing accessories to complete the installation.(D. Be careful not to pinch wires.

WARRANTY

This product is warranted for 5 years from the date of purchase.If this product does not perform to the specifications supplied on this package,send an email to us for product return and replacement.This replacement is the sole remedy available.Liability for incidental or consequential damage is expressly excluded.