

L-WL-8503-30D-277-S

WATTAGE AND CCT SELECTABLE LED WALL PACK LIGHT FIXTURE

Project Name:	Order Number:	Prepare by:	Note:	Date:	Type:

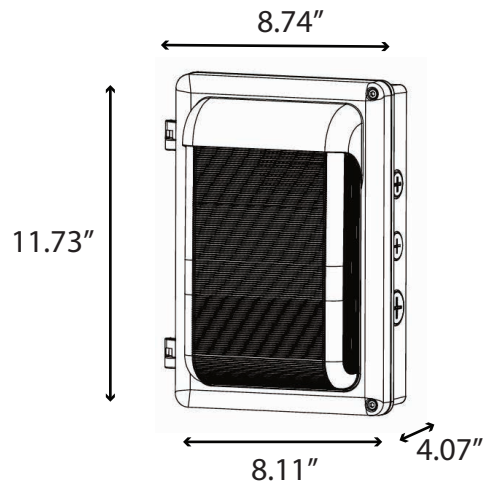
This wattage and CCT selectable LED wall pack light fixture with non-flicker, die-cast aluminum construction and a glass cover. It features a switchable photocell for dusk-to-dawn operation (on/off), operates on AC120-277V, and is 0-10V dimmable. The color temperature is selectable at 30K, 40K, and 50K, with wattage options of 30-40-50W and 60-70-80W. It is UL/FCC certified, has a 5-year warranty, an 80 CRI, 0-10V dimming capability, and a lifetime of 50,000 hours.



- 3000K NATURAL WHITE
- 4000K COOL WHITE
- 5000K DAYLIGHT



DIMENSION



TECHNICAL SUMMARY

MODEL NO.	WATTS	LUMENS	CCT	VOLTAGE	DIMMING	CRI	CERTIFICATION
L-WL-8503-30D-277-S	30/40/50W	4050/5400/6750LM	30/40/50K	AC120-277V	0-10V	80+	UL/ FCC
L-WL-8803-30D-277-S	60/70/80W	8100/9450/10800LM	30/40/50K	AC120-277V	0-10V	80+	UL/ FCC

PART NUMBER ORDERING SUMMARY

L-WL-8503-30D-277-S

L-WL-8503-30D-277-S

WATTAGE AND CCT SELECTABLE LED WALL PACK LIGHT FIXTURE

Project Name:	Order Number:	Prepare by:	Note:	Date:	Type:

CONSTRUCTION

- Unit includes heavy duty metal frame, LED array, heat sink, hanger, security cable and high quality PC lens.

OPTICS

- Diffuse for uniform illumination.
- CRI 80+

DRIVER

- 120 - 277V 60Hz universal input voltage
- 0 - 10v smooth flicker free dimming down to 5%

MOUNTING

Pendant mount to the ceiling

LISTING

- UL Listed
- FCC certified

WARRANTY

5 years manufacturer warranty, consult factory for more details.
Terms and conditions may apply.

*5 years limited LED luminaire warranty to the original purchaser that the luminaire shall be free from defects in materials and workmanship from date of shipment, when under properly installed at normal conditions of use. The warranty may not cover physical damage or abuse under certain conditions.

HIGHLIGHT



LONG LASTING RELIABILITY

Designed with robust materials and 50,000 hour rated lifetime.

DURABLE AND SAFE CONSTRUCTION

Constructed with die-cast aluminum and a glass cover.