

# LMP-2468-JB

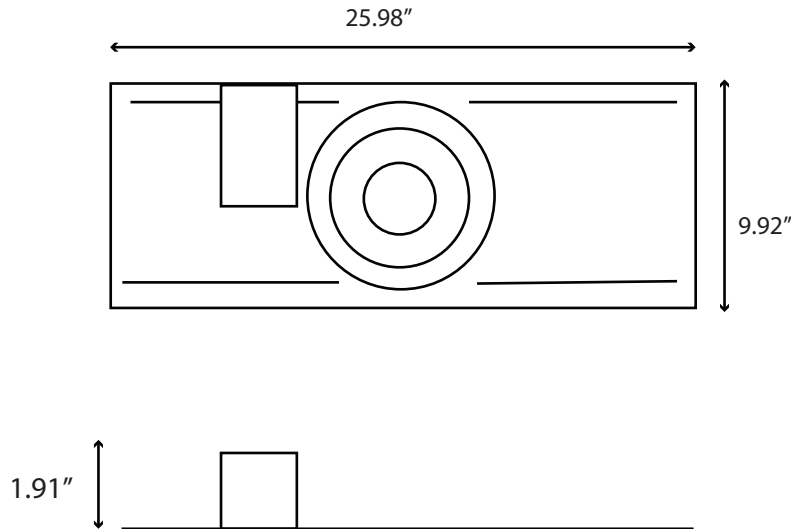
## CANLESS NEW CONSTRUCTION MOUNTING PLATE WITH AUXILIARY J-BOX

Project Name:	Order Number:	Prepare by:	Note:	Date:	Type:

The mounting plate features durable galvanized steel construction and includes break-outs for 2 in., 3 in., 4 in., 6 in., or 8 in. aperture fixtures. It comes with a unique auxiliary junction box that enhances flexibility for running electrical connections to additional devices or fixtures on the same circuit. The plate can be secured to both sides of ceiling joists up to 24 in. on center spacing and can be offset 4 in. on either side, providing layout flexibility. Additionally, it creates a strong surface for fixture spring clips, ensuring a secure installation.

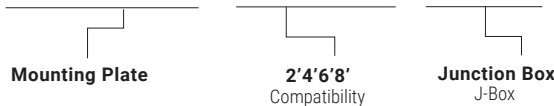


### DIMENSION



### PART NUMBER ORDERING SUMMARY

## LMP-2468-JB



# LMP-2468-JB

## CANLESS NEW CONSTRUCTION MOUNTING PLATE WITH AUXILIARY J-BOX

Project Name:	Order Number:	Prepare by:	Note:	Date:	Type:

### CONSTRUCTION

- Unit includes heavy duty metal frame, LED array, heat sink, hanger, security cable and high quality LED tube.

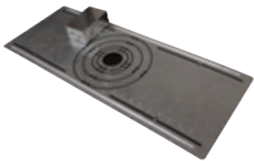
### MOUNTING

- Above Ceiling
- Ceiling Joists & drop ceiling installations

### WARRANTY

- 5 years manufacturer warranty, consult for more details.  
\* Terms and conditions may apply.

### HIGHLIGHT



#### Compatibility

Suitable for 2 in., 3 in., 4 in., 6 in., and 8 in. LED recessed lights. This mounting plate works with junction boxes accommodated a variety of lighting needs

#### Additional Junction Box

Includes an auxiliary junction box for greater flexibility, allowing you to connect devices or fixtures on the same circuit.



#### Durable Construction

Made from galvanized steel, it is lightweight, rust-proof, and built to last, making it suitable for both residential and commercial projects.

#### Versatile Use

Perfect for homeowners and contractors alike, this mounting plate simplifies installations, ensuring a reliable and satisfying lighting setup.