

LLS-GPLS-11

LED Satin Archaize Landscape Pathway Light

Project Name:	Order Number:	Prepare by:	Note:	Date:	Type:

DESCRIPTION



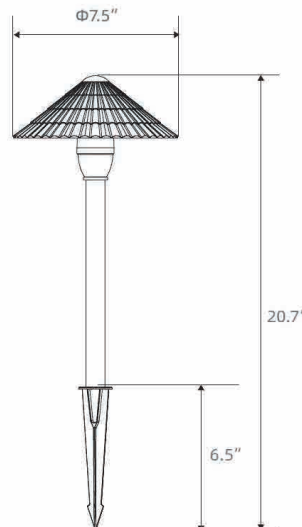
This LED Landscape Pathway Lighting is easy to connect , no worrying about fire hazard; AC/DC 12V low output voltage, safe for surrounding children or pets. Rugged aluminum housing with corrosion resistance & heat dissipation. Wet location waterproof performance, best choice for outdoor wet locations, resistant to damage of heavy rains. With 40,000hrs long lifespan and backed by a 5-year warranty, these landscape lights can be connected several packs of the products or other kinds of lawn lamps, satisfy more requirements.



Product Information

Model No.	Product Name	Lumens	Watts	Efficacy	CRI	VOLTAGE	DIMMING	CCT	LIFE	OPERATING TEMP.
LLS-GPLS-11	Satin Archaize Landscape Light	120LM	3W	40Lm/W	90	12-24VAC/DC	N	2700K 3000K 4000K 5000K	N/A	N/A

DIMENSIONS



LLS-GPLS-11

LED Satin Archaize Landscape Pathway Light

Project Name:	Order Number:	Prepare by:	Note:	Date:	Type:

PHOTOMETRY

