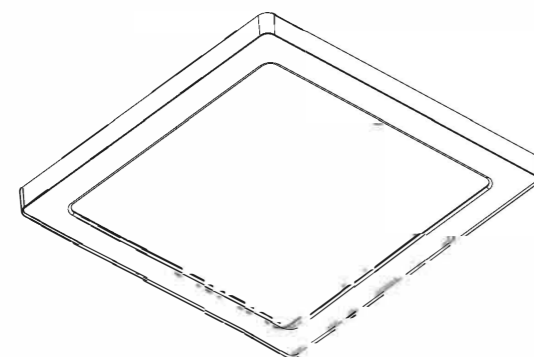


Item:

LSFM712-3CCT
LSFM918-3CCT
LSFM1224-3CCT



7 / 9 /12 Inch 3CCT FLUSH MOUNT CEILING LIGHT



IMPORTANT SAFETY INFORMATION

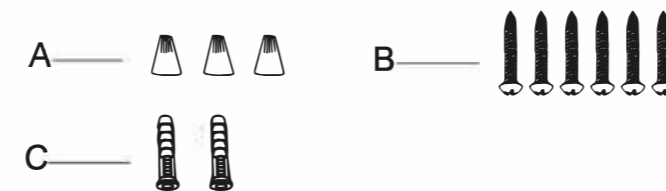
- WARNING : RISK OF SHOCK** House electric current can cause painful shock or serious injury unless handled properly. For your safety, always remember to :
A : Turn off the power supply at the fuse or circuit breaker box before you install the fixture.
B : Ground the fixture to avoid potential electric shocks and to ensure reliable starting.
C : Double-check all connections to be sure they are tight and correct.
D : Wear rubber soled shoes and work on a sturdy wooden ladder.
- This fixture is designed for use in a circuit protected by a fuse or circuit breaker, It is also designed to be installed in accordance with local electrical codes. If you are unsure about your wiring, consult a qualified electrician or local electrical inspector, and check your local electrical code.
- WARNING : RISK OF CUTS** Some metal parts in the fixture may have sharp edges. To prevent cuts and scrapes, wear gloves when handling the parts.
- Account for small parts and destroy packing material, as these may be hazardous to children.

TOOLS REQUIRED (Not Included)(Cont.)

NOTE: Keep your receipt and these instructions for Proof of Purchase.



PACKAGE CONTENT

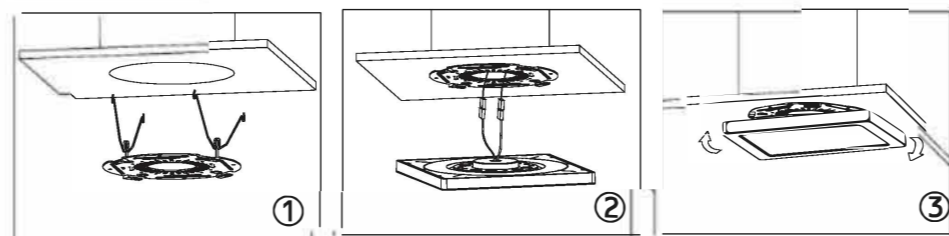


	PARTS	PCS
A	Wire Nuts	3
B	Screws	6
C	Anchors	2

Product Specification

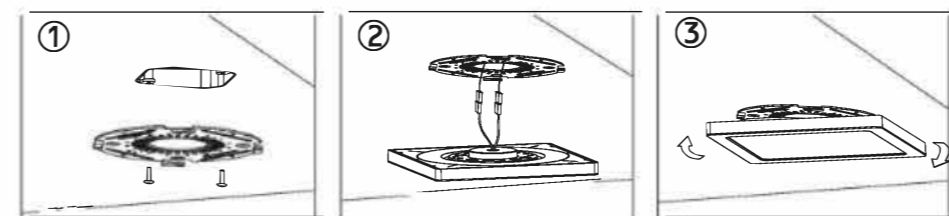
No	Wattage(w)	Voltage(V)	Rated Input Frequency(Hz)	Beaming(°)	Size(in)
1	12W	AC120V	60Hz	120°	φ12x0.6
2	18W	AC120V	60Hz	120°	φ18x0.6
3	24W	AC120V	60Hz	120°	φ27x0.6

Embedded in installation



Fix the installation Bracket; Connecting the wire; Press the light to fit the bracket and rotate clockwise.

Surface mounting installation



Fix the installation Bracket; Connecting the wire; Press the light to fit the bracket and rotate clockwise.

Caution

- WARNING :** Risk of fire. Use AC120V 60Hz circuits.
- Suitable for damp locations. Before installing your lighting fixture, thoroughly review enclosed installation manual. If you do not have sufficient electrician experience, please refer to a professional wiring handbook or have your fixture installed by a qualified licensed electrician. All electrical connections must be in accordance with local and National Electrical Code (NEC) standards. Reliable operating temperature is -20 to +40 degrees Celsius (-4 to +104 degrees Fahrenheit).
- pls obey fire prevention regulations, do not cover the fixture with any heat insulated materials.
- Do not change the LED light source or driver inside under any circumstance.

Warranty: 5 years warranty

WARNING

This product is warranted for 5 years from the date of purchase. If this product does not perform to the specifications supplied on this package, send an email to us for product return and replacement. This replacement is the sole remedy available. Liability for incidental or consequential damage is expressly excluded.