

# LH3

Project Name:	Order Number:	Prepare by:	Note:	Date:	Type:

## DESCRIPTION

Downlight systems provide quality built New Construction housings for high performance LED module engineered with enough power and lumens to fill the entire room with quality light, down to the floor through. MW optic system - designed to remove harsh glare and provide perfectly soft, even light throughout the space. Each system offers interchangeable optics to create various distribution patterns and media options offering total light control for general, task and accent lighting. Housings are easy to handle, easy to install and ideal for commercial and residential project.



24°  
36°  
45°  
60°

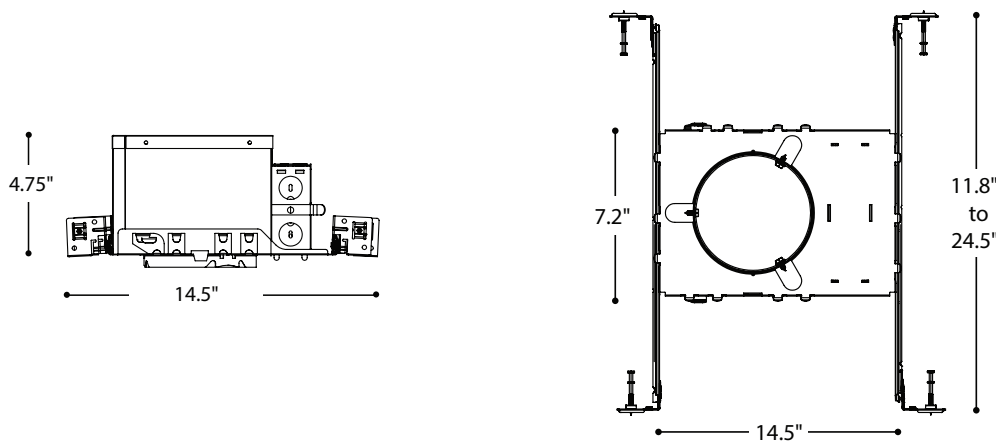
Select color temperature from  
 • 2700K WARM WHITE  
 • 3000K SOFT WHITE  
 • 3500K NATURAL WHITE  
 • 4000K COOL WHITE  
 • 5000K DAYLIGHT



## Product Information

Model No.	Lumens	Watts	Efficacy	CRI	OPTIC	VOLTAGE	DIMMING	CCT	LIFE	OPERATING TEMP.
LH3-8W-XXK	720lm	8w	90lm/w	90+	24°/36°/ 45°/60°	120V-277V	TRIAC/0-10V	27K/30K/35K/40K/50K	>50,000hrs	-4°F ~ 104°F
LH3-10W-XXK	900lm	10w								
LH3-17W-XXK	1500lm	17w								

## DIMENSIONS



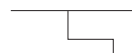
**L**

**H**

**3**

**10W**

**XXK**



High  
High Lumen

3INCH  
3"

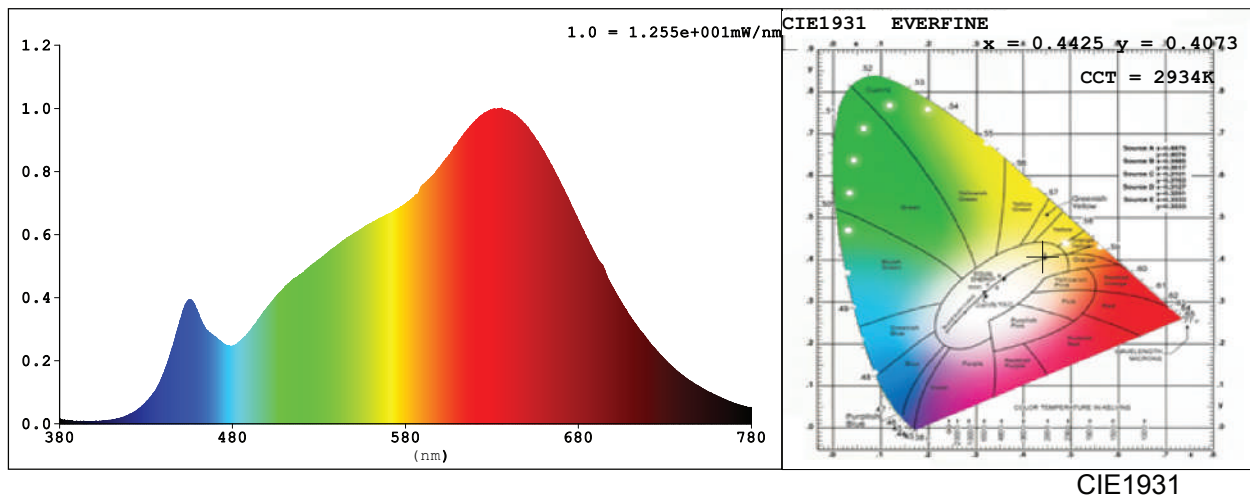
10W  
Wattage

XXK  
27K/30K/35K/40K/50K

**LH3**

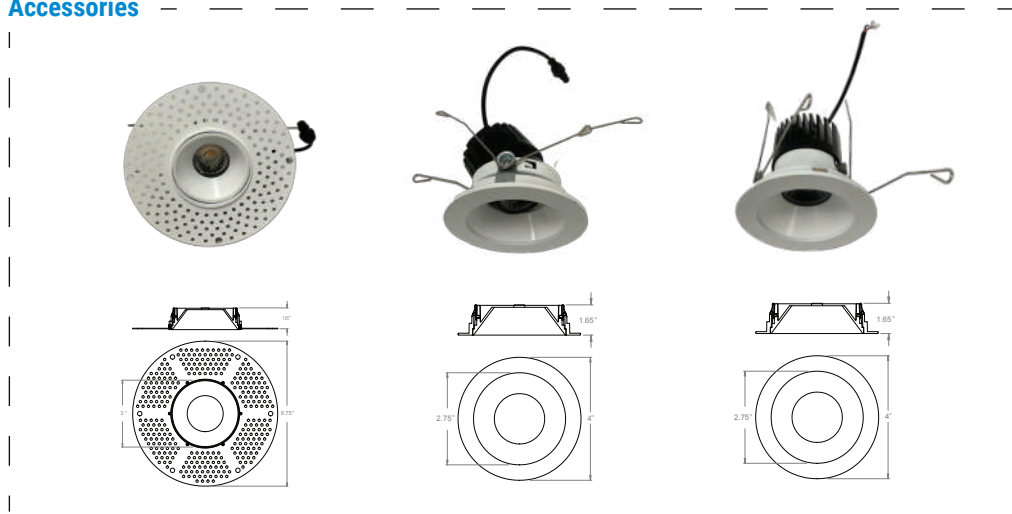
Project Name:	Order Number:	Prepare by:	Note:	Date:	Type:

**PHOTOMETRY**



**TECHNICAL SUMMARY**

**Accessories**



**CONSTRUCTION**

- Select color temperature from 2700k warm white, 3000k soft white, 3500k natural white, 4000k cool white, or 5000k daylight for your environment.

**OPTICS**

- High quality PC lens
- Efficiency LED array
- Diffuse for uniform illumination

**DRIVER**

- High efficiency integral 120v-277v 60hz constant current dimmable driver.
- Smooth flicker free deep dimming to 10%.

**LISTING**

- ETL Listed, Suitable for Wet Locations,
- RoHS, Air-Tite Certified.

**WARRANTY**

- 5 years manufacturer warranty, consult factory for more details.
- Terms and conditions may apply.