

27.94 cm / 11 inch

<4

21.59 cm 8.5 inch

MOUNTING FIXTURE

- Determine locations for each fixture. For hardwire installations, connect supply wires via knockouts before mounting.
- Use a Phillips head screwdriver or driver bit to tighten captive mounting screws and secure fixture to an appropriate mounting surface.

CONNECTING POWER VIA POWER CORD

120V power cord (optional, sold separately) has a polarized plug (one blade is wider than the other) as a feature to reduce the risk of electric shock. This plug will fit in a polarized outlet only one way. If the plug does not fit fully in the outlet, reverse the plug. If it still does not fit, contact a qualified electrician. Never use with an extension cord unless the plug can be fully inserted. Do not alter plug.

- Position fixture in desired location and use a Phillips head screwdriver or driver bit to tighten captive mounting screws in order to secure the fixture to an appropriate mounting surface.
- Remove the side port cover and insert the power cord into side port labeled "input" until fully seated.

INTERCONNECTING FIXTURES

Interconnecting via linking/jumper cable: TO interconnect nearby fixtures, remove the adjacent port covers and utilize Connection line linking cable (sold separately) as shown in Figure 5.

Interconnecting via end-to-end linking connector: To interconnect fixtures directly to each other (end-to-end), utilize the in-line connector (included with each fixture) by removing adjacent port covers and inserting fully.

WARRANTY

This product is warranted against defects in material and workmanship for a period of five (5) years from the date of purchase. Any changes or modifications and applications not expressly approved by the manufacturer could void the user's authority to operate the equipment and warranty. Please contact the retailer for more warranty informations.

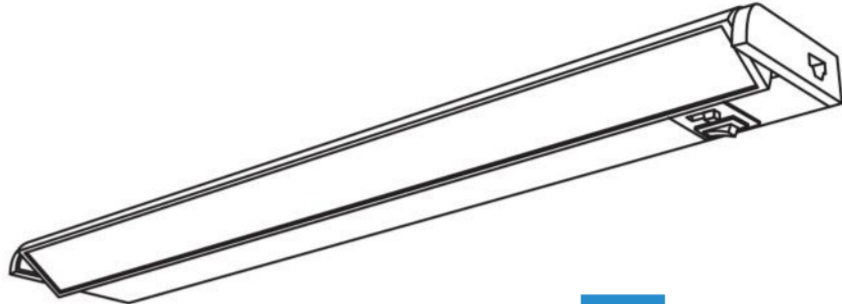

CARE AND MAINTENANCE

Clean with non-abrasive glass cleaner and soft cloth. Do NOT use cleaner contains abrasive agents.

- Turned off the power before attempt to maintain the luminaire.
- Liquid spray should be applied to the cleaning cloth, do NOT sprayed liquid directly onto the fixture.

5CCT LINKABLE LED UNDER CABINET LIGHT

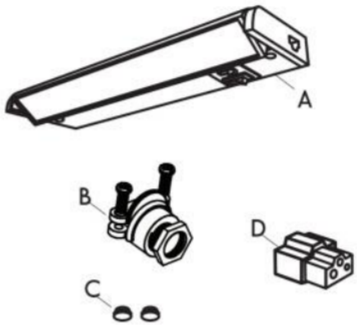
10", 16" 24" & 32" MODEL

Questions or problems with the product? Before returning to your retailer, please contact our customer service department at info@lightingsquared.com, we will be more than happy to help!

PACKAGE CONTENTS

PARTS		QT
A	Under cabinet light	1
B	Pre-installed cable clamp	1
C	Screw cover	2
D	Fixture connector	1



4

1

SAFETY INSTRUCTION

Read all instructions before beginning and save this instruction for future use. To reduce the risk of fire, electric shock, or injury to persons, pay close attention to this manual and stay within its guidelines when using this product.

WARNING

- Products should be installed in accordance with current electrical codes, and/or the current National Electric Code(NEC).
- Make sure that the electrical power to the system is disconnected at the source prior to installation or any servicing.

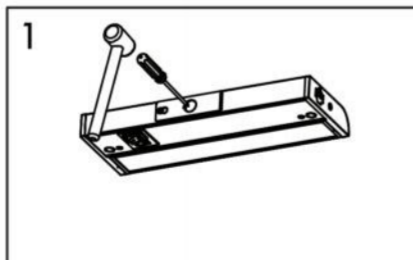
CAUTION

To reduce the risk of electric cords or injuries to persons

- Use only insulated staples or plastic ties to secure cords and only route/secure cords so that they will not be pinched or damaged when the cabinet is pushed to the wall;
- Do not operate fixture with a missing or damaged lens or wiring compartment cover;
- Do not operate without an end connector cover in place for any Molex ports/connectors, not in use.


INSTALLATION

CONNECTING POWER VIA SUPPLY WIRES THROUGH REAR ACCESS DOOR



1

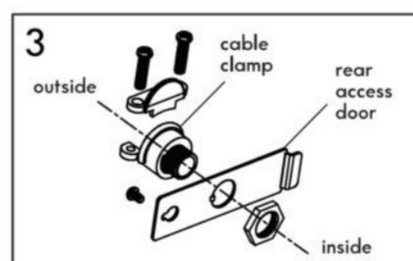
1. Use a flat head screwdriver and hammer/punch to remove the knockout on rear access door.



2

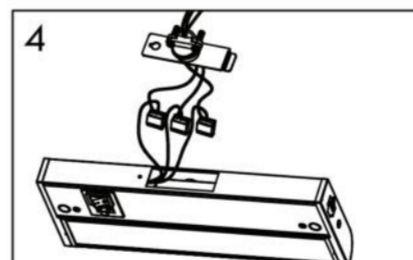
2. Use philips head screwdriver to release the rear access door,

INSTALLATION



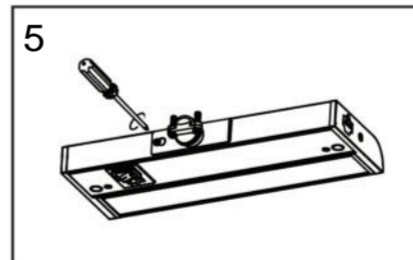
3

3. Install the included cable clamp through the knockout on rear access door.



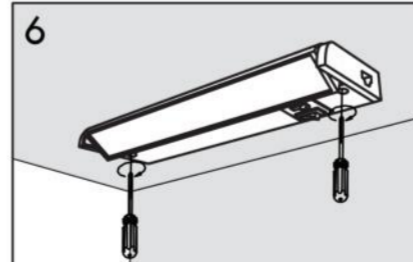
4

4. Insert the neutral (white) supply wire into the push-in wiring connector with the preassembled white fixture wire through the cable clamp on the rear access door. Repeat the step with the two hot (black) wires and ground (green/bare copper) wires.



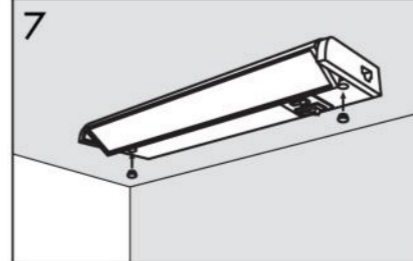
5

5. Push the wires back to the fixture and close the rear access door, secure the rear access door with the retaining screw. Make sure no wires are pinched or damaged.



6

6. Use philips head screwdriver to mount the fixture by tightening the pre-install screws.



7

7. Place the screw cover to the fixture to finish the installation.

2

3