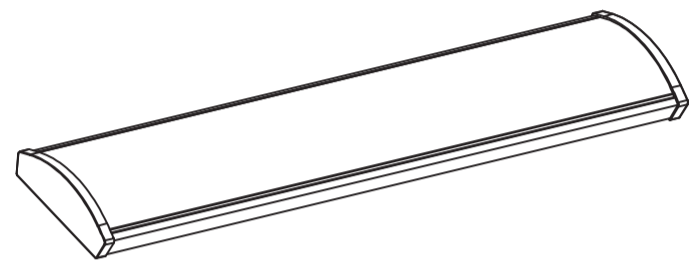


Item:

LETLWRAP07-34-44-54W-3CCT
LETLWRAP05-32-40-48W-3CCT



LED WRAPAROUND LIGHT



SAFETY INSTRUCTION

⚠ WARNING

- To reduce the risk of death, personal injury or property damage from fire, electric shock, falling parts, cuts/abrasions, and other hazards read all warnings and instructions included with and on the fixture box and all fixture labels.
- Before installing, servicing, or performing routine maintenance upon this equipment, follow these general precautions.
- Commercial installation, service and maintenance of luminaires should be performed by a qualified licensed electrician.
- For the installation: If you are unsure about the installation or maintenance of the luminaires, consult a qualified licensed electrician and check your local electrical code.
- To prevent wiring damage or abrasion, do not expose wiring to edges of sheet metal or other sharp objects.
- Do not make or alter any open holes in an enclosure of wiring or electrical components during kit installation.

⚠ WARNING

- Turn off electrical power at fuse or circuit breaker box before wiring fixture to the power supply.
- Turn off the power when you perform any maintenance.
- Verify that supply voltage is correct by comparing it with the luminaire label information.
- All wiring connections should be capped with UL approved wire connectors.

⚠ CAUTION

- Avoid direct eye exposure to the light source while it is on.
- Account for small parts and destroy packing material, as these may be hazardous to children.
- Risk of burn. Disconnect power and allow fixture to cool before changing bulb or handing fixture.

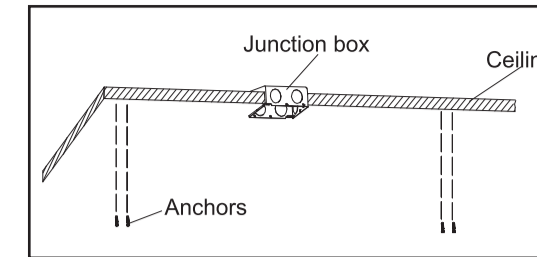
NOTICE: Green ground screw provided in proper location. Do not relocate.

NOTICE: Minimum 90°C supply conductors.

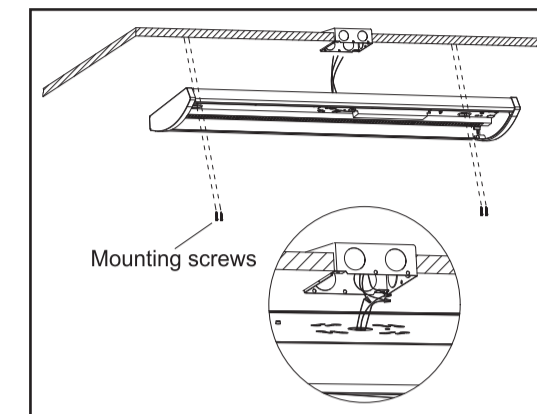
NOTICE: Specifications and dimensions subject to change without notice.

NOTICE: Suitable for Damp location.

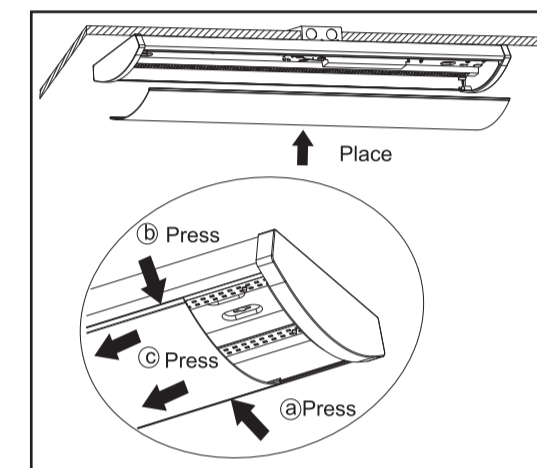
INSTALLATION INSTRUCTION



2. Use the luminaire as a template by placing it on the junction box and penciling in the ceiling the four holes positions. Put the luminaire aside and drill the four holes. Insert an anchoring bolt (not included) into each hole.



3. Screw the four mounting screws into each anchoring bolt, then connect the AC wires.

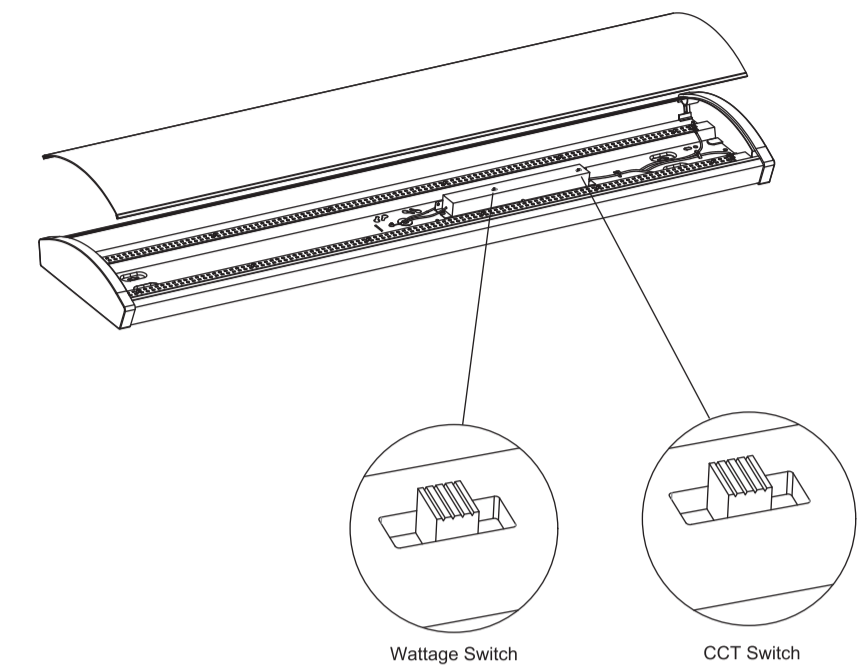


4. Install the lens starting at one end of housing. Insert lens slot onto edge of housing. Carefully squeeze the lens to engage opposite side with housing. Continue this action down length of lens until fully installed onto housing.

5. Turn on the luminaire.

INSTALLATION INSTRUCTION

Field-Adjustable Wattage & CCT



The end users may adjust the color temperature and lumen output respectively by the two DIP switch buttons integrated into the driver. Each DIP switch is accommodated with 3 options (left, middle and right), corresponding to 3 color temperatures and 3 powers respectively, which can perform the desired color temperature and lumen output combination.

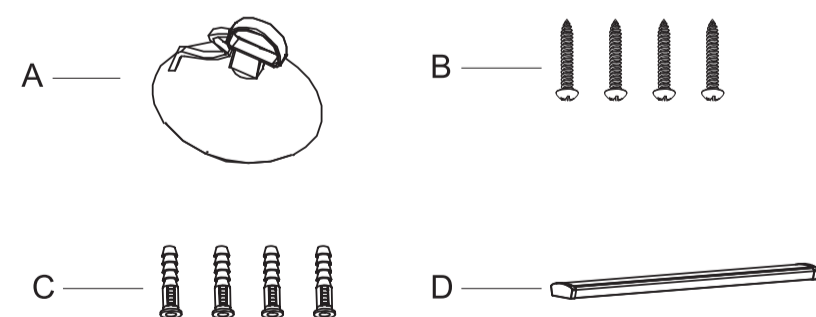
1. The DIP switches are located on top of the driver.
2. Select a wattage and color temperature by sliding switch left or right respectively to the desired value.

TOOLS REQUIRED

NOTE: Keep your receipt and these instructions for Proof of Purchase.



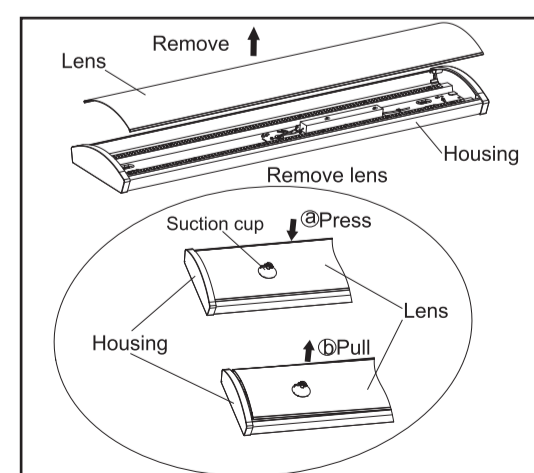
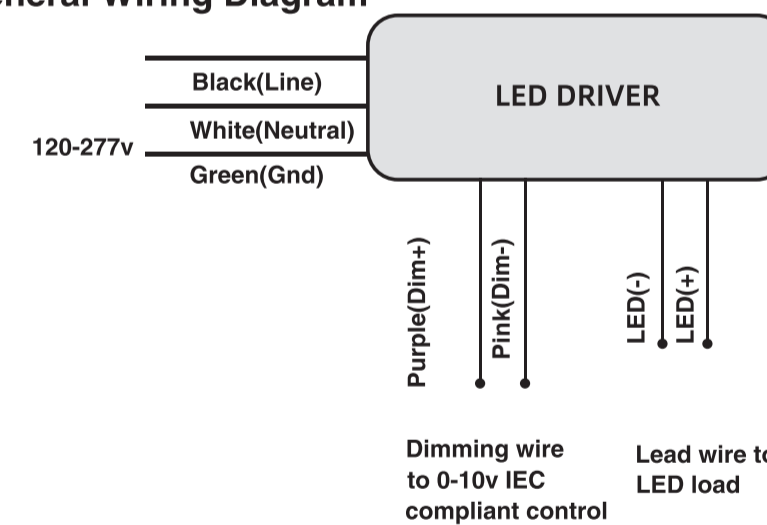
PACKAGE CONTENT



	PARTS	pcs
A	Suction cup	1
B	Mounting screws	4
C	Anchoring bolt	4
D	LED fixture	1

INSTALLATION INSTRUCTION

General Wiring Diagram



1. Remove the lens from the housing near one end of the housing by using the provided suction cup. Press the suction cup to absorb one side of the lens. Pull the suction cup to detach the lens from the luminaire housing.

WARRANTY

This product is warranted for 5 years from the date of purchase. If this product does not perform to the specifications supplied on this package, send an email to us for product return and replacement. This replacement is the sole remedy available. Liability for incidental or consequential damage is expressly excluded.