

LED T8 TUBE SERIES

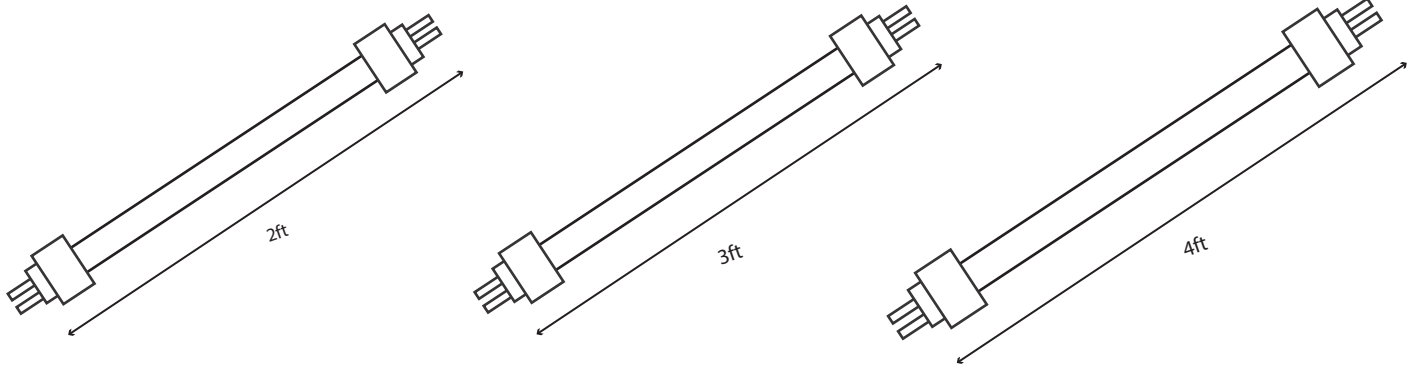
LED Tube

Project Name:	Order Number:	Prepare by:	Note:	Date:	Type:

The LAPT8 LED tubes are designed to upgrade existing T8 fluorescent fixtures with energy-efficient LED technology. These LED tubes come with a range of features, including a 100-277 Vac input, and are available in 3500K, 4000K, and 5000K color temperatures. They are non-dimmable and suitable for damp locations, ensuring versatility in various environments. Certified by UL, the LAPT8 LED tubes offer reliability and safety. Their design allows for easy installation and they are a cost-effective choice for enhancing lighting in workshops, shopping malls, offices, commercial buildings, and other public spaces.



DIMENSION



TECHNICAL SUMMARY

MODEL NO.	WATTS	LUMENS	CCT	VOLTAGE	DIMMING	CRI	CERTIFICATION
LAPT8-2F09-AB	9 W	1170Lm	35/40/50K	100-277V	N/A	N/A	UL
LAPT8-3F12-AB	12W	1560Lm					
LAPT8-4F12-AB	12W	1800Lm					
LAPT8-4F16-AB	16W	2340Lm					

PART NUMBER ORDERING SUMMARY

LAPT8-4F16-AB

LED T8 Tube Series

4ft 16W
Size

AB Version
Bypass

LED T8 TUBE SERIES

LED Tube

Project Name:	Order Number:	Prepare by:	Note:	Date:	Type:

CONSTRUCTION

- Unit includes heavy duty metal frame, LED array, heat sink, hanger, security cable and high quality LED tube.

OPTICS

- Diffuse for uniform illumination.

DRIVER

- 100 - 277V 60Hz universal input voltage
- Non-Dimmable

*5 years limited LED luminaire warranty to the original purchaser that the luminaire shall be free from defects in materials and workmanship from date of shipment, when under properly installed at normal conditions of use. The warranty may not cover physical damage or abuse under certain conditions.

MOUNTING

Ceiling and pendant mount

LISTING

- UC Listed

WARRANTY

5 years manufacturer warranty, consult factory for more details.

HIGHLIGHT



Energy-Efficient Upgrade

Replace T8 fluorescent tubes with LED for improved efficiency.



Damp Location Rated

Suitable for use in environments where moisture is present